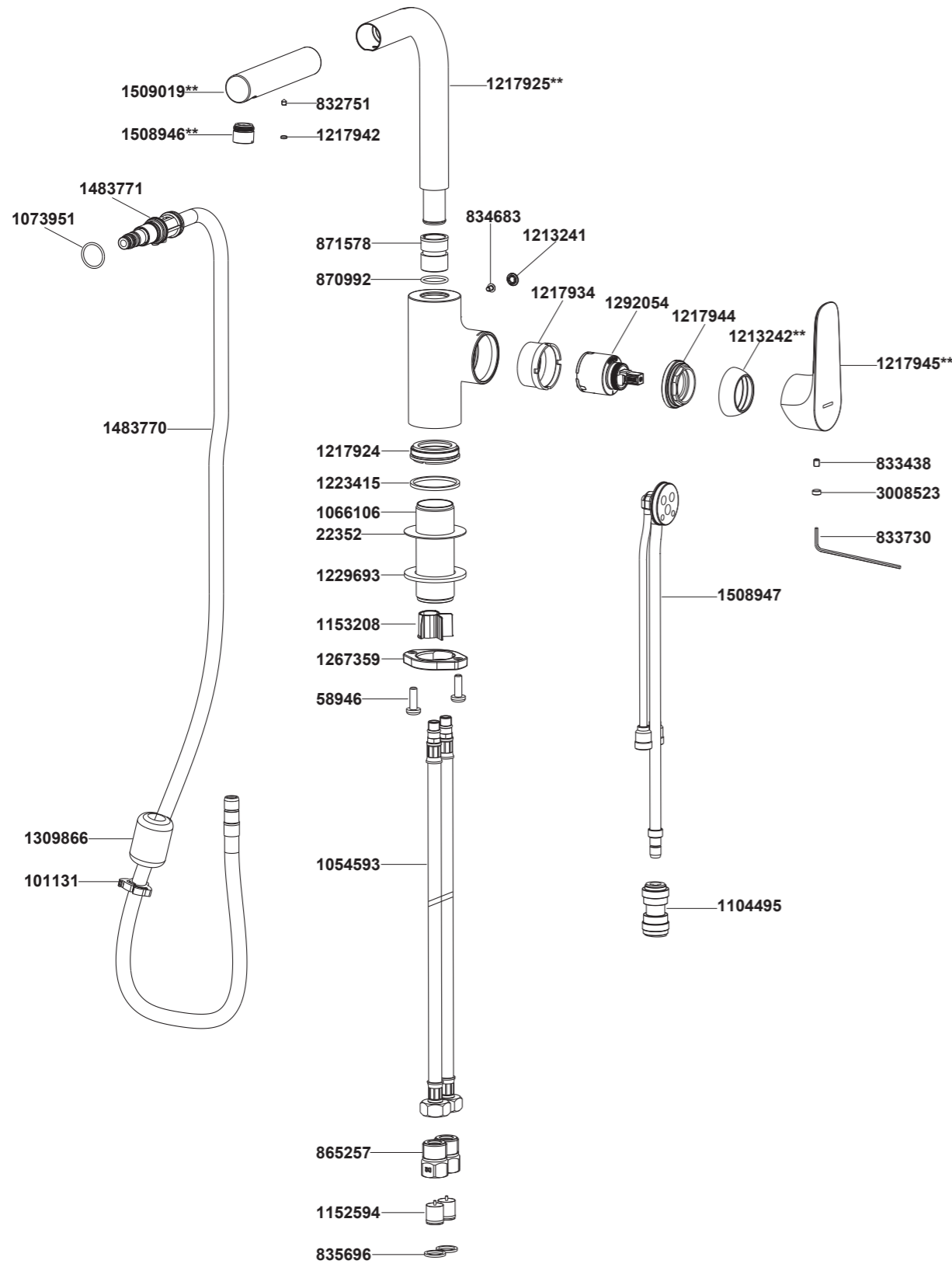


99175T-4E Pull-out Kitchen Faucet



**Color code must be specified when ordering.

99175T-4E Pull-out Kitchen Faucet

BEFORE YOU BEGIN

All information is based on the latest product information available at the time of publication. Kohler Co. reserves the right to make changes in product characteristics, packaging, or availability at any time without notice.

Please leave these instructions for the consumer. They contain important information.

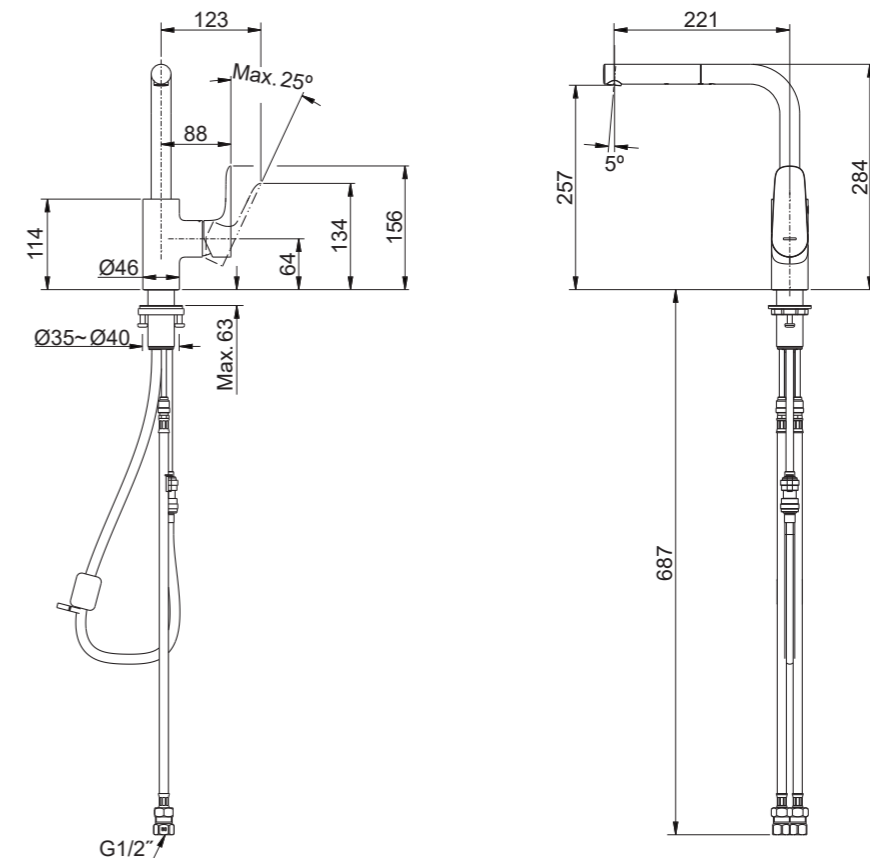
NOTES:

1. Flush the water supply pipes thoroughly to remove debris.
2. An inline water filter must be used with this product.
3. For new installations, assemble the faucet to sink before installing.
4. The highest working pressure for spray is 0.5MPa (5bar). If it exceeds 0.5MPa(5bar), a pressure reducer is needed. The highest water and environment temperature is 60°C. Please keep the spray away from heater, or it may become damaged and cause injury to the user.
5. All installations should comply with the relevant requirements of AS/NZS 3500 and AS/NZS 6400.

HANDLE OPERATION

Open the handle gently. Turn clockwise for cold water, turn counter-clockwise for hot water.

ROUGH-IN DIMENSIONS



INSTALLATION

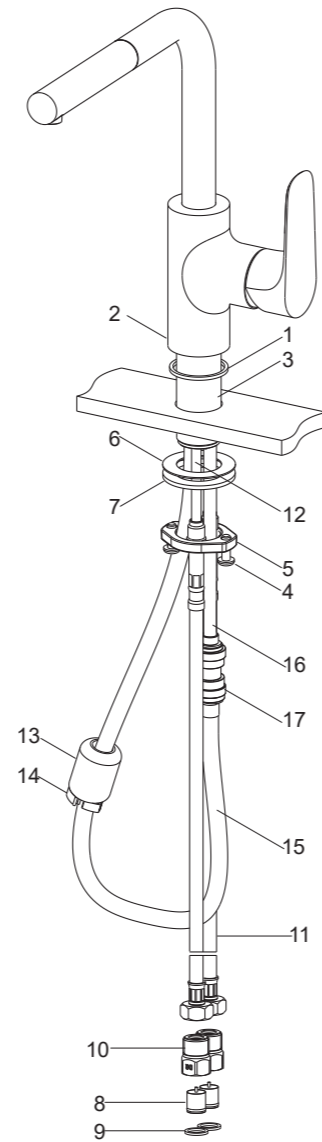
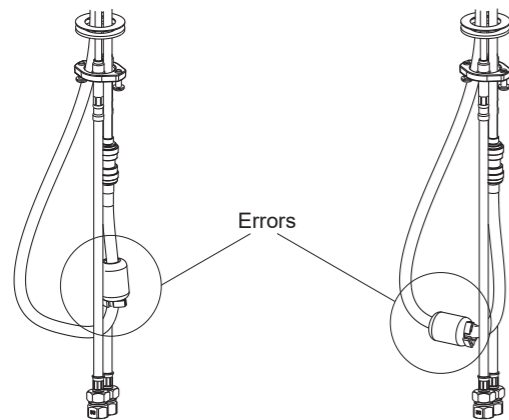
Slide the washer(1) into the groove of the body(2) through the shank(3). Put the faucet body kit into the mounting hole of the sink. Let the bottom of the body against the deck.

Screw two screws(4) into the threaded ring(5). From underside of the sink, place and tighten the washer(6), the metal washer(7) and threaded ring with two screws onto the shank. Position the faucet so that the handle is on the right side. Tighten two screws to secure faucet to sink.

Put the check valves(8, keep the end with O-ring downward), washers(9) into the nuts(10), and then tighten the nuts onto water supplies. Tighten the supply hoses(11) onto the nuts. The hose with blue dot should be connected to cold water. The hose with red dot should be connected to hot water. Connect the hoses(11) with the two shorter copper pipes(12).

Put the weight(13) and clip(14) onto the hose assembly(15). Connect the hose assembly(15) and copper pipe(16) with connector(17). Adjust and position the weight and clip. **Note:** Don't over distort the hoses. Please avoid the wrong installation for the weight and clip as below.

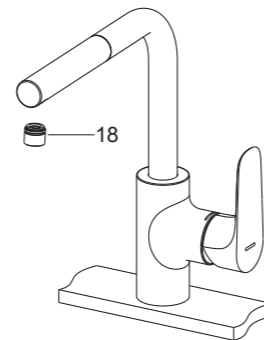
Try to pull out the spray, check whether it can go back to its original position smoothly or not. If not, position the weight again.



INSTALLATION CHECKOUT

Ensure that all coupling nuts are tight. Ensure that the lever handle is in the off position. Turn on the main water supply, and check for leaks. Repair as needed.

Remove the aerator(18). Turn on the faucet, run hot and cold water for about one minute to remove any debris. Remove any debris from the aerator. Shut off the faucet. Reinstall the aerator.



CLEANING INSTRUCTIONS

All Finishes: Clean the finish with mild soap and warm water. Wipe entire surface completely dry with clean soft cloth. Many cleaners may contain chemicals, such as ammonia, chlorine, toilet cleaner etc., which could adversely affect the finish and are not recommended for cleaning.

Do not use abrasive cleaners or solvents on Kohler faucets and fittings.

"LEAD FREE" is marked on the back of the faucet signifying its compliance with the United States AB1953